

# INSTRUCTION MANUAL

# ELITE 1200.4



Read before using

## TABLE OF CONTENTS

Introduction	3
Description	4
Technical Specifications	8
Solutions to Potential Problems	10

[f/Bandaaudioparts](#) [t/banda\\_audioparts](#) [@BandaAudiopartsOfficial](#)

Visit [www.bandaaudioparts.com](http://www.bandaaudioparts.com)

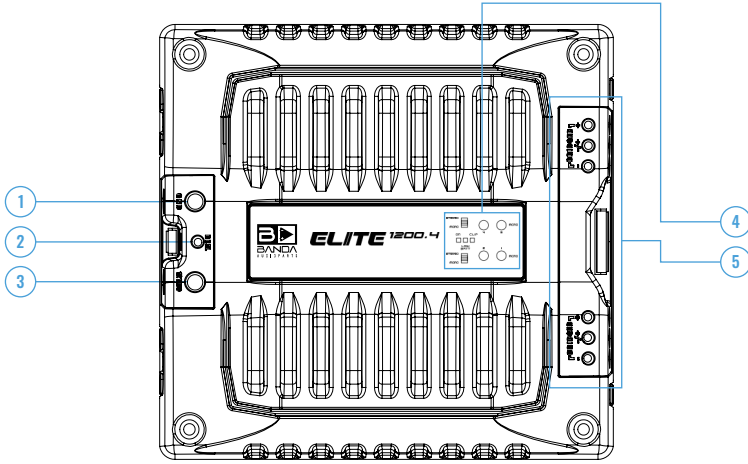


## INTRODUCTION

- Congratulations! You have just purchased a product with Banda Audioparts quality. Developed by qualified engineers and in a high-tech laboratory.

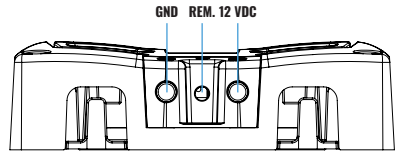
To ensure optimal operation, please read this manual carefully before using the product. Keep the manual in a safe and accessible place for future reference.

# DESCRIPTION



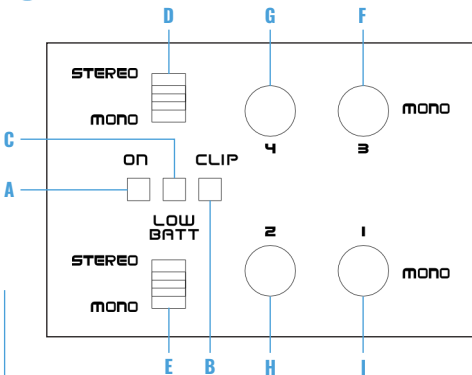
## POWER UNIT

- 1 **GND INPUT**  
Connect to the vehicle chassis (Ground)
- 2 **DRIVE INPUT 12VDC (+)**  
Connect electrical antenna (Remote)
- 3 **12VDC POSITIVE INPUT**



**NOTE: USE EXTERNAL FUSE**

## 4 FRONT PANEL



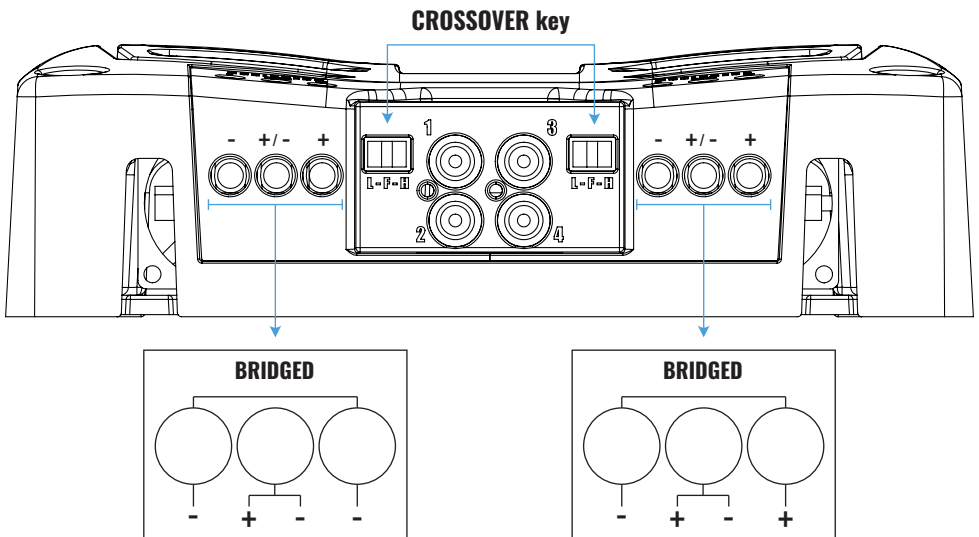
## LEDS

- A **Blue (ON):** On
- B **Red (CLIPPING):** Indicator of output distortion, short circuit and thermal protection
- C **Yellow:** Battery voltage below specified (flashing)

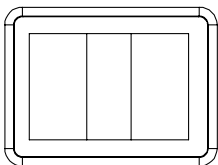
## DESCRIPTION

- D** MONO/STEREO switch (Channel 3 and 4)
- E** MONO/STEREO switch (Channel 1 and 2)
- F** Left channel gain adjustment (Channel 3)/Gain adjustment for MONO (Bridged 2)
- G** Right channel gain adjustment (Channel 4)
- H** Right channel gain adjustment (Channel 1)
- I** Left channel gain adjustment (Channel 2) Gain adjustment for MONO (Bridged 1)

## 5 SIDE | CROSSOVER KEY



### CROSSOVER KEY



L - F - H

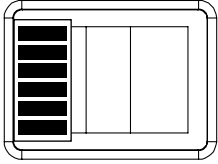
Allows you to adjust the Crossover using the selector switch in the **LOW (L)**, **FLAT (F)** and **HIGH (L)** positions. This function, when selected in the **LOW** position, leaves the device only adjustable for a lower frequency (20Hz - 90Hz @ -3dBs).

When positioned in **FLAT**, the device responds in **FULL RANGE** (20Hz - 20kHz @ -3dBs). And when positioned at **HIGH**, it allows adjustment only at high frequencies (90Hz - 20kHz @ -3dBs).

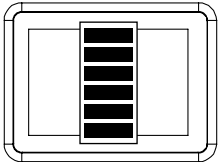
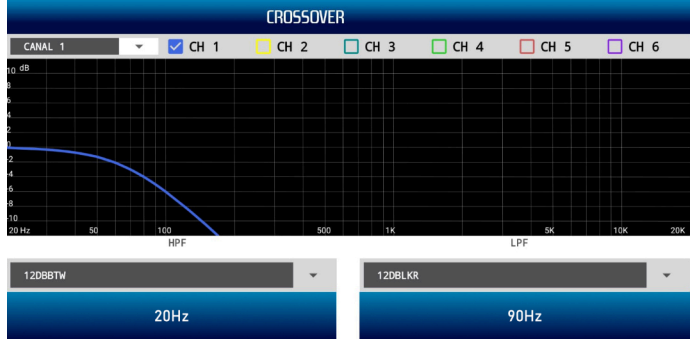


# DESCRIPTION

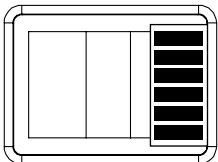
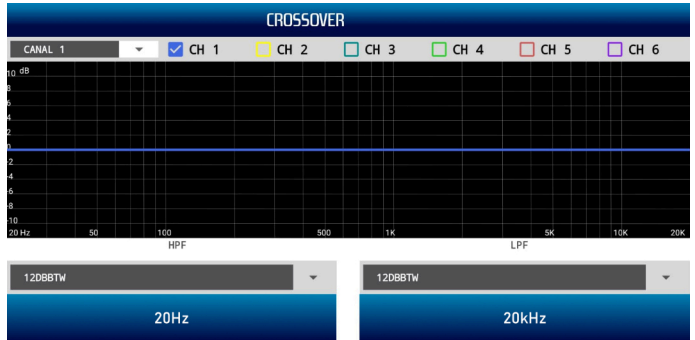
## CROSSOVER SWITCH



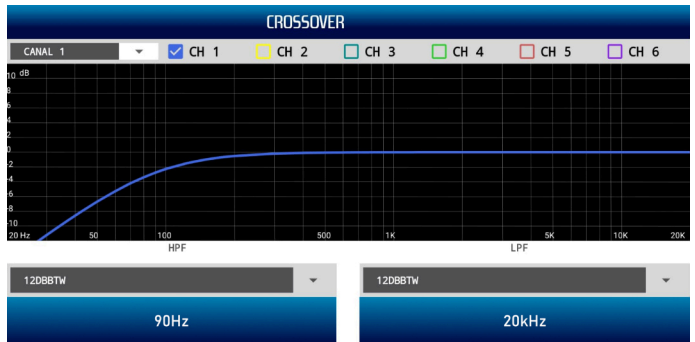
L - F - H



L - F - H

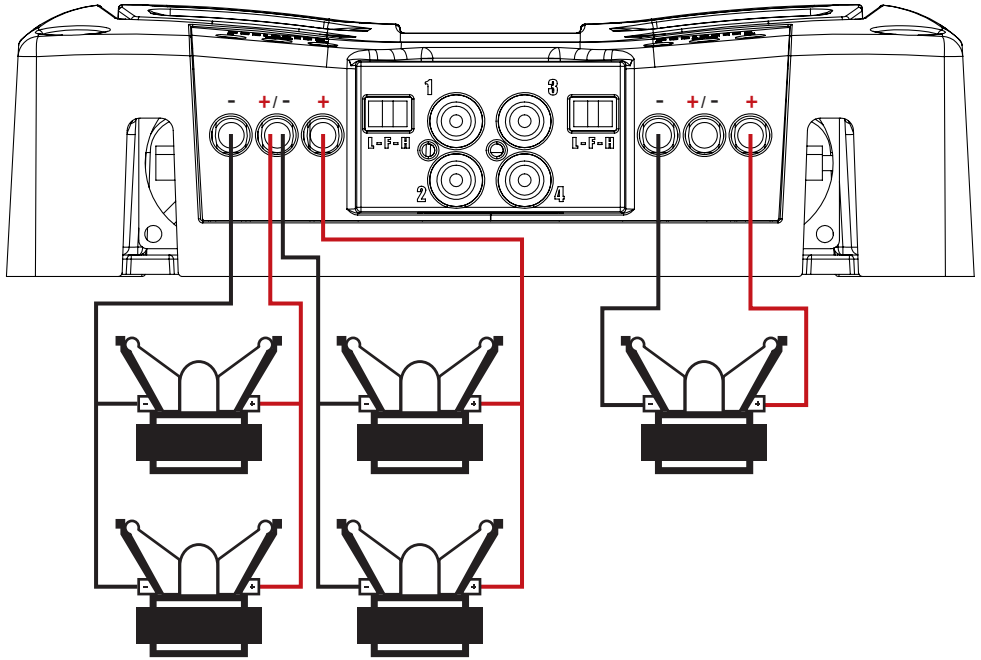


L - F - H



# DESCRIPTION

## CONNECTION EXAMPLES



### 1 ohm VERSION

CHANNELS 1 and 2 - 2 speakers of 150Wrms @ 2ohms each in parallel resulting in 300Wrms @ 1ohm per channel

### 1 ohm VERSION

BRIDGED (CHANNELS 3 and 4) - Subwoofer

1 coil @2ohms 600Wrms

### 2 ohms VERSION

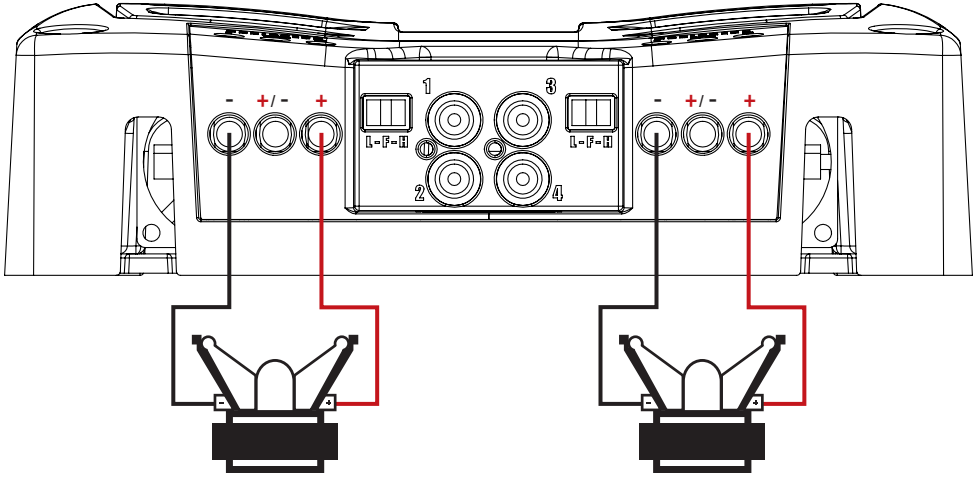
CHANNELS 1 and 2 - 2 speakers of 150Wrms @ 4ohms each in parallel resulting in 300Wrms @ 2ohms per channel

### 2 ohms VERSION

BRIDGED (CHANNELS 3 and 4) - Subwoofer

1 coil @4ohms 600Wrms

# DESCRIPTION



## 1 ohm VERSION

BRIDGED (CHANNELS 1 and 2) - Subwoofer  
 1 coil @2ohms 600Wrms

## 1 ohm VERSION

BRIDGED (CHANNELS 3 and 4) - Subwoofer  
 1 coil @2ohms 600Wrms

## 2 ohms VERSION

BRIDGED (CHANNELS 1 and 2) - Subwoofer  
 1 coil @4ohms 600Wrms

## 2 ohms VERSION

BRIDGED (CHANNELS 3 and 4) - Subwoofer  
 1 coil @4ohms 600Wrms

# TECHNICAL SPECIFICATIONS

## DIMENSIONS



Weight





## TECHNICAL SPECIFICATIONS

PARAMETERS	1 ohm VERSION	2 ohms VERSION
Maximum Power 14.4v @ 1 Ohm	4 x 400 WRMS	-
Maximum Power 14.4v @ 2 Ohms	4 x 260 WRMS	4 x 400 WRMS
Maximum Power 14.4v @ 4 Ohm	-	4 x 260 WRMS
Maximum Power 14.4v Bridged	2 x 800 WRMS 2 Ohms	2 x 800 WRMS 4 Ohms
Maximum Power 12.6v @ 1 Ohm	4 x 300 WRMS	-
Maximum Power 12.6v @ 2 Ohm	4 x 200 WRMS	4 x 300 WRMS
Maximum Power 12.6v @ 4 Ohm	-	4 x 200 WRMS
Maximum Power 12.6v Bridged	2 x 600 WRMS 2 Ohms	2 x 600 WRMS 4 Ohms
Efficiency @ 8 Ohms	-	-
Efficiency @ 4 Ohms	-	92%
Efficiency @ 2 Ohms	85%	80%
Efficiency @ 1 Ohm	75%	-
Input Voltage	9 - 15V	
Input Impedance	100K Ohms	
THD maximum power	< 1%	
Input Sensitivity	150mV - 4V	
Signal to Noise Ratio	85dB	
Frequency Response (FLAT Switch)	20 to 20kHz (-3dB)	
HPF (Crossover)	90Hz - 20kHz @ 12dB/octava Linkwitz-Riley	
LPF (Crossover)	20Hz - 90Hz @ 12dB/octava Linkwitz-Riley	
Recommended Fuse	80A	
Rest Current	1,5A	
Maximum Current (sine signal)	150A	
Maximum Current (musical signal)	75A	
Power Cables (min. recommended)	16mm / 5 AWG	
Output Cables (min. recommended)	2 x 2,5mm / 2 x 14 AWG	

## SOLUTIONS TO POTENTIAL PROBLEMS

PROTECTION SYSTEM	PROBLEM	SOLUTION
Blue & Red LED On	Amplifier temperature has reached the operating limit.	Install the appliance in a well-ventilated place and ensure that the ventilation system is not obstructed. The amplifier will return to normal operation as soon as the temperature drops.
Blue LED on and Red flashing with no audio on output	Short circuit in the audio output or impedance of the speakers below the rated impedance of the amplifier.	Make sure that there is no short circuit in the speaker connection cables and that there is no shorted speaker connected to the system, or that the impedance of the speakers is not less than the minimum impedance of the amplifier.
Blue LED on and Red LED flashing as per the music	LED clipping indicating that the distortion in the output is going over 1%.	The system can operate with the amplifier with the Clip LED flashing, but the speakers connected to the output will suffer coil overheating due to Clip distortion.
Flashing Yellow LED	Amplifier input voltage below 9V.	Check the charge of the batteries where the amplifier is connected. In addition, poor contact in the power cables can also generate voltage drops. Check the voltage at the input of the amplifier and the output of the batteries to verify that the voltage drop is not occurring in the cables or connections.
Red LED and Yellow LED on	Problem with the amplifier.	Please refer to our nearest authorized service center.

# WARRANTY TERMS

Warranty valid for 12 months (one year), starting from the date of purchase, if purchased from an authorized Banda Audioparts dealer. Will be covered by warranty components and/or parts comproved that shows failures in process manufacture or damaged components.

Warranty don't cover:

1. Equipment, parts or components previously altered by unauthorized people.
2. Damages caused by accidents (fall, crash, etc) or natural disasters (overflow, burning, etc).
3. Improper instalation (improper wiring, abuse, installation out of specifications).
4. Shipping costs

In case needed any repair, contact the dealer for warranty instructions.

## ADDRESS:

Banda Audioparts

Rua Manoel Joaquim Filho, 353

Neighborhood: Santa Terezinha

Paulínia - SP

Brazil

Zip Code: 13148-115

**NOTE:** If out of warranty, repair costs (if needed) will be charged from client.

Phone: 55 (19) 3844-7173

e-mail: [banda@bandaaudioparts.com.br](mailto:banda@bandaaudioparts.com.br)

Banda Audioparts reserved rights to alter characteristics of the product without previously advice.

## WARRANTY REGISTRATION:

Name:.....

Register:..... Date:..... Phone:.....

Address:.....

Dealer:..... Phone:.....

 /Bandaaudioparts  /banda\_audioparts  @BandaAudiopartsOfficial  
Visit [www.bandaaudioparts.com](http://www.bandaaudioparts.com)

