

USER GUIDE

DSP 3K2955



Read before using

TABLE OF CONTENTS

Introduction	3
Technical Specifications	4
Dimensions	4
Front Panel	5
Side	5
Power Supply Unit	6
Wiring Example	6

[f/Bandaaudioparts](#) [t/banda_audioparts](#) [@BandaAudiopartsOfficial](#)

Visit www.bandaaudioparts.com



INTRODUCTION

- Congratulations! You have just purchased a product with Banda Audioparts quality. Developed by qualified engineers and in a high-tech laboratory.

To ensure optimal operation, please read this manual carefully before using the product. Keep the manual in a safe and accessible place for future reference.

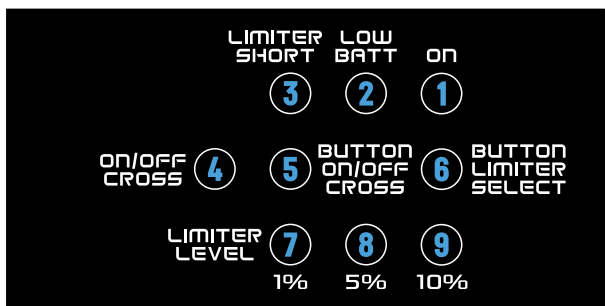
TECHNICAL SPECIFICATIONS

PARAMETERS	DSP 3K1	DSP 3K2
	12,6V 1ohm – 3500 Wrms 12,6V 2ohms – 2100 Wrms	12,6V 2ohms – 3200 Wrms 12,6V 4ohms – 1700 Wrms
Efficiency	76%	83%
Input Voltage	9 - 15V	
Input Impedance	100K Ohms	
THD+N	MIN: 1,5% - MAX: 7,5%	
Input Sensibility	~300mV - 8V	
Signal-to-Noise Ratio	80dB	
Frequency Response	FILTER ON: 22Hz - 250Hz FILTER OFF: 22Hz - 1000Hz	
Bass Boost	30-80Hz	0-12dB
HPF	22Hz - 65Hz	
LPF	80Hz - 250Hz	
Recommended Fuse	150A	
Quiescent Current	≈2,5A	
Maximum Current (sinusoidal signal)	440A	
Maximum Current (musical signal)	*220A	
Power Supply Cables	50mm (min. recommended)	

DIMENSIONS



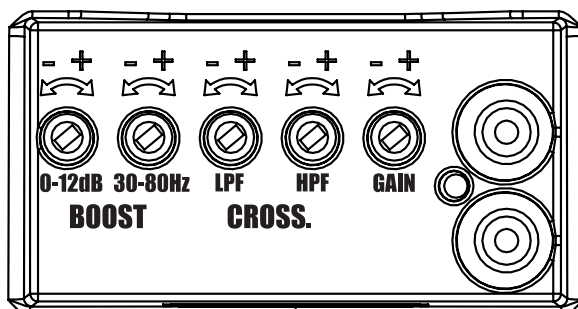
FRONT PANEL



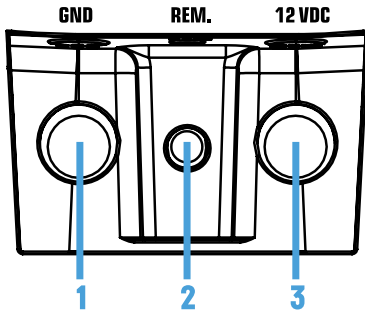
LEDS | Buttons

- (1) BLUE LED: Power ON
- (2) YELLOW LED: Battery, low tension
- (3) RED LED: Short circuit protection (actuating limiter)
- (4) Crossover off/on
- (5) Button on/off
- (6) Button limiter selector | 1% - 5% - 10% or off (limiter leds off – means limiter off)
- (7) 1% THD maximum approximately 1,5%
- (8) 5% THD maximum approximately 3%
- (9) 10% THD maximum approximately 7%

SIDE



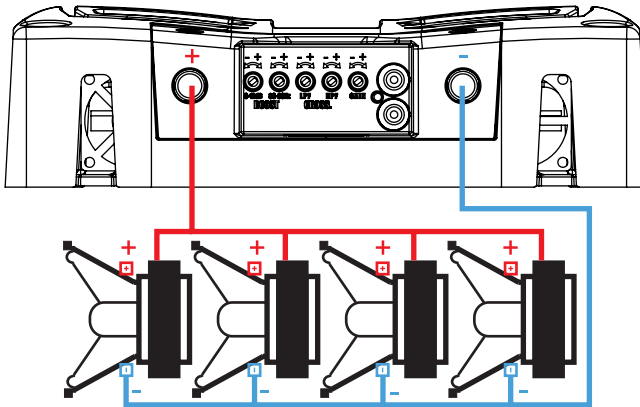
POWER SUPPLY UNIT



- (1) **GND**
Connect to vehicle chassis (Ground)
- (2) **12VDC INPUT (+)**
Connect antenna (Remote)
- (3) **POSITIVE UNPUT 12VDC**

⚠ NOTE: USE EXTERNAL FUSE

WIRING EXAMPLE



DSP 3K1

4 woofers or subwoofers

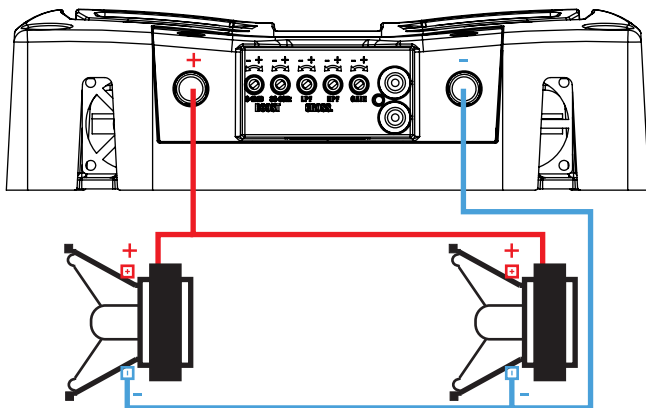
4 ohms 750Wrms each connected in parallel,
resulting 3000Wrms @ 1 ohm

DSP 3K2

4 woofers or subwoofers

8 ohms 750Wrms each connected in parallel,
resulting 3000Wrms @ 2 ohms

WIRING EXAMPLE



DSP 3K1

2 woofers or subwoofers

2 ohms 1500Wrms each connected in parallel,
resulting 3000Wrms @ 1 ohm

DSP 3K2

2 woofers or subwoofers

4 ohms 1500Wrms each connected in parallel,
resulting 3000Wrms @ 2 ohms



NOTE: These diagrams are basic ones and are only intended as an example. This device works with several systems, provided that the minimum impedance is observed.

WARRANTY TERMS

Warranty valid for 12 months (one year), starting from the date of purchase, if purchased from an authorized Banda Audioparts dealer. Will be covered by warranty components and/or parts comproved that shows failures in process manufacture or damaged components.

Warranty don't cover:

1. Equipment, parts or components previously altered by unauthorized people.
2. Damages caused by accidents (fall, crash, etc) or natural disasters (overflow, burning, etc).
3. Improper instalation (improper wiring, abuse, installation out of specifications).
4. Shipping costs

In case needed any repair, contact the dealer for warranty instructions.

ADDRESS:

Banda Audioparts

Rua Manoel Joaquim Filho, 353

Neighborhood: Santa Terezinha

Paulínia - SP

Brazil

Zip Code: 13148-115

NOTE: If out of warranty, repair costs (if needed) will be charged from client.

Phone: 55 (19) 3844-7173

e-mail: banda@bandaaudioparts.com.br

Banda Audioparts reserved rights to alter characteristics of the product without previously advice.

WARRANTY REGISTRATION:

Name:.....

Register:..... Date:..... Phone:.....

Address:.....

Dealer:..... Phone:.....