

Name: \_\_\_\_\_  
 Invoice: \_\_\_\_\_ Date: \_\_\_\_\_ Phone: \_\_\_\_\_  
 Address: \_\_\_\_\_  
 Shop: \_\_\_\_\_ Phone: \_\_\_\_\_

## REGISTRATION DATA

Warning: Continuous expose to sound pressure levels over 85db may cause permanent hearing loss.

After the warranty expires, Banda Audioparts will continue to provide extensive technical assistance directly or through its network of authorized service, charging, however, the repair services and replacement of components

## Note: Permanent Technical Support

Banda Audioparts reserves the right to change the product and its specifications at any time without prior notice.

Rua Hum, 188 - Jardim Santa Terezinha II - Paulínia - SP - Brazil - CEP: 13148-133

The defective equipment must be shipped to the factory or to an authorized service center

This warranty does not cover shipping costs.

1. Damage resulting from misuse, abuse, accident, alterations or improper installation;  
 2. Damage resulting from installation in surfaces subjected to high levels of vibration;  
 3. Corrective work necessitated by repairs made by anyone other than a Banda Audioparts authorized service technician;

Warranty Exclusions:

Within the period of this warranty, Banda Audioparts will repair or replace, free of charge, any part proving defective in material or workmanship.  
 Banda Audioparts warrants this equipment to be free of all defects in material and workmanship for a period of 12 months from the date of purchase

## WARRANTY

www.bandaudioparts.com

Made in Brazil

BD250.1  
 BD250.2

BANDA  
 AUDIO PARTS



USER MANUAL

INDEX

- 02 ..... Technical specification
- 03 ..... Input, power supply and output
- 04 ..... Input examples
- 05 ..... Connection examples BD-250.1
- 06 ..... Connection examples BD-250.2
- 07 ..... Important notes and troubleshooting
- 08 ..... Warranty

## TECHNICAL SPECIFICATION BD-250.1 / BD-250.2

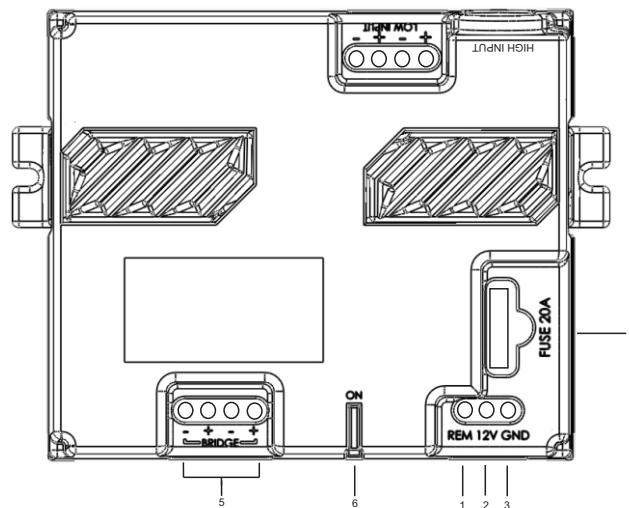
BD-250.1	BD-250.2
1 Channel (250Wrms 4 ohms @ 14.4Vdc).	2 Channel (125Wrms 2 ohms @14.4Vdc) or 1 Channel (250Wrms 4 ohms @ 14.4Vdc).
Frequency response: 10Hz - 120Hz	Frequency response: 10Hz - 32kHz
Thd : 0.01%	Thd: 0.01%
SNR: >86dB	SNR: >86dB
Damping factor: 85	Damping factor: 85
Input sensitivity	Input sensitivity
Input High: 160mV	Input High: 160mV
Input Low: 1.8V	Input Low: 1.8V
Input impedance:	Input impedance:
Input High: 22kohms	Input High: 22kohms
Input Low: 1kohms	Input Low: 1kohms

LOW IMPEDANCE INPUT WITH AUTOMATIC TURN ON SYSTEM  
 Current draw at full power (average music program): 9.8A\*

Dimensions :  
 BD-250.1 / BD-250.2  
 Length 4.9" / Height 1.5" / Width 3.7"  
 Peso: 0.8 lbs

\*Equivalent to current measured with resistive load and sinusoidal signal at half power.  
 \*\*These values are typical and may present some minor variation.

INPUT, POWER SUPPLY AND OUTPUT



- 1- Remote input (+): connect to the player antenna output.
- 2- Positive power input (+12Vdc): connect to positive battery pole.
- 3- Negative power input: connect to vehicle chassis ground.
- 4- Protection fuse: 20A
- 5- Output terminals.
- 6- Blue led: amp on

Low impedance input (wire): can be wired directly to cd / dvd players power outputs. This input has an automatic turn on system that detects if the player is on, turning the amplifier without using a remote signal. 1kohms impedance.

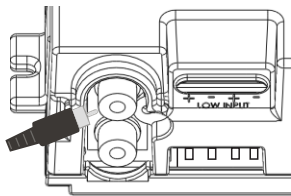
High impedance input (RCA): used with RCA outputs. 22kohms impedance. Needs remote signal.

BD-250.1 is a mono amplifier so the two inputs are shortened and there is only one output (BRIDGE) capable of driving 250Wrms@4 ohms.

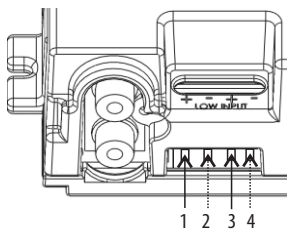
BD-250.2 is a stereo amplifier capable of driving 2x 125Wrms @ 2 ohms or 1x 250Wrms @ 4 ohms (BRIDGE). To use the amplifier in bridge mode is necessary to apply the same signal to both inputs using a Y cable for RCA (high impedance) input or jumper for wire input (low impedance).

BD-250.1

High impedance input



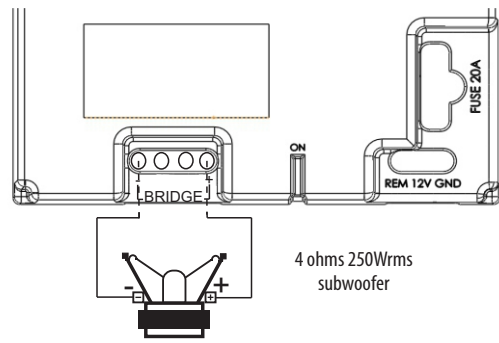
Low impedance input



1- RCA 1 input: Head unit RCA output(L,R or SUB)

\*Use only one RCA input (1 or 2)  
Inputs 1 and 2 are connected internally.

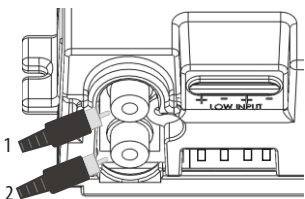
1- Wire input(+): head unit output L(+)  
2- Wire input(-): head unit output L(-)  
3- Wire input(+): head unit output L(+)  
4- Wire input(-): head unit output L(-)



4 ohms 250Wrms subwoofer

BD-250.2

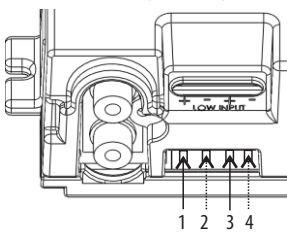
High impedance input



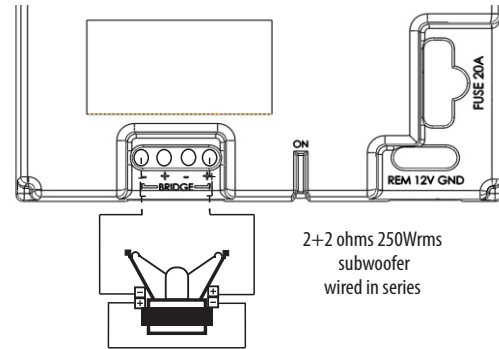
1- RCA 1 input: Head unit RCA output(L)  
2- RCA 1 input: Head unit RCA output(R)

\*For BRIDGED connection, use an Y cable so the signal input is the same on RCA 1 and RCA 2.

Low impedance input



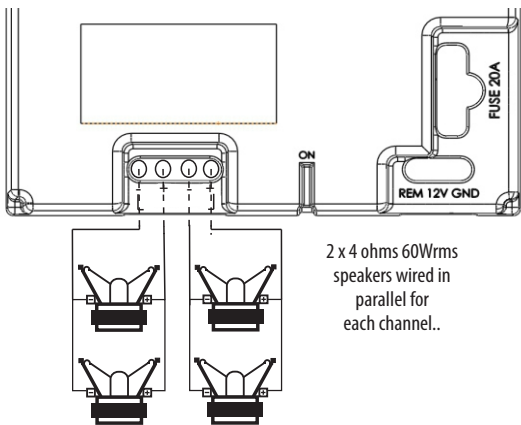
1- Wire input(+): head unit output L(+)  
2- Wire input(-): head unit output L(-)  
3- Wire input(+): head unit output R(+)  
4- Wire input(-): head unit output R(-)



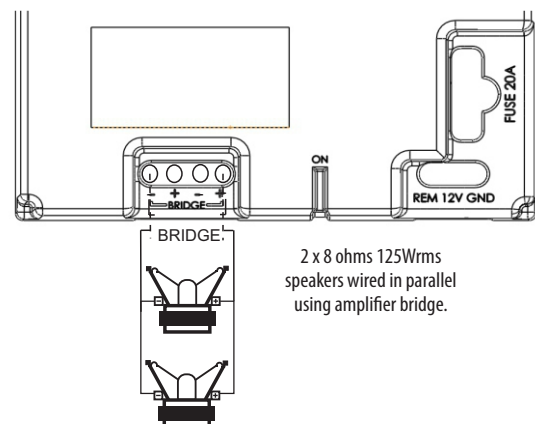
2+2 ohms 250Wrms subwoofer wired in series

NOTE<sup>1</sup>: DO NOT use different signals at BD-250.1 inputs or at BD250.2 when in bridged mode.  
Chose only one signal (L, R or SUB) and apply it to both inputs.

NOTE<sup>2</sup>: DO NOT use high and low inputs at the same time



2 x 4 ohms 60Wrms speakers wired in parallel for each channel..



2 x 8 ohms 125Wrms speakers wired in parallel using amplifier bridge.

IMPORTANT NOTES:

- Use 9AWG power cables for both GND and +12Vdc.
- Do not int the power supply cables for a better connection.
- Do not use impedance load lower than the amplifier specification. This can damage the equipment.
- The GND connection must be as short as possible, using adequate wire terminal firmly connected to a clean, paint free spot at the car chassis.
- If more than one amplifier is used, provide adequate individual wiring for each one.
- There is no current consumption when the remote input is off.
- If using power supply to power the amplifier, it must be capable of supply between 12.6 – 14.4Vdc with at least the amplifier maximum current value and maximum output variation (Vripple) of 10%.
- The equipment is protected by an external 20A fuse.

TROUBLESHOOTING:

- If the power cables are connected in reverse the fuse will blow. In this case recheck the wires and replace the 20A fuse.
- If the amplifiers does not turn on (blue led) check the power cables and the fuse.
- If the amplifiers shuts o ffor cuts the audio, check the speaker impedance or if there is short circuits on the output.
- If the blue led is on and there is no audio on the output, check the input cables.