



WARRANTY

Banda Audioparts warrants this equipment to be free of all defects in material and workmanship for a period of 12 months from the date of purchase

Within the period of this warranty, Banda Audioparts will repair or replace, free of charge, any part proving defective in material or workmanship.

Warranty Exclusions:

1. Damage resulting from misuse, abuse, accident, alterations or improper installation;
2. Damage resulting from installation in surfaces subjected to high levels of vibration;
3. Corrective work necessitated by repairs made by anyone other than a Banda Audioparts authorized service technician;

This warranty does not cover shipping costs.

The defective equipment must be shipped to the factory or to an authorized service center

**Rua Manoel Joaquim Fiho, 353 - Jardim Santa Terezinha II - Paulínia - SP - Brazil
CEP: 13148-133**

Banda Audioparts reserves the right to change the product and its specifications at any time without prior notice.

Note: Permanent Technical Support

After the warranty expires, Banda Audioparts will continue to provide extensive technical assistance directly or through its network of authorized service, charging, however, the repair services and replacement of components

Warning: Continuous expose to sound pressure levels over 85dB may cause permanent hearing loss.

REGISTRATION DATA

Name: _____

Invoice: _____ Date: _____ Phone: _____

Address: _____

Shop: _____ Phone: _____

COSTUMER SERVICE:

55 (19) 3844-7173 - (19) 3844-7465 - (19) 3844-4923 •

BANDA@BANDAAUDIOPARTS.COM

USER MANUAL



BANDA
A U D I O P A R T S

VIKING

02	General Technical Specification
03	Output
04	Front Panel, Clip Indicator and Power Supply Section
05	Output Section , Crossover Control and Instalation Instructions
06	Technical Specification
07.....	Connection Example - VIKING 5000 1 ohm
08.....	Connection Example - VIKING 5000 2 ohms
09	Connection Example - VIKING 8001 ohm
10	Connection Example - VIKING 8002 ohms
11	Protection System and Troubleshooting
12	Warranty

GENERAL TECHNICAL SPECIFICATION

- Operation Topology: Full Bridge Class D
- Variable Linkwitz-Riley active crossover: 30Hz - 8000Hz (12dB/octave)
- Frequency Response: 18Hz - 8000Hz (-3dB)
- Variable Subsonic Filter: 18Hz - 120Hz
- Clip Indicator
- THD < 0.3%
- SNR > 82,4dB
- Damping Factor > 100
- Input Sensitivity: 0.2 - 1Vrms
- Input Impedance: 47kohms
- Differential input circuit
- Cooling Fans

- Dimensions: 17.4"L x 2.5"H x 10.1"W
- WWeight: 16.5lb

†These values are typical and may present some minor variation.

PROTECTION SYSTEM AND TROUBLESHOOTING

Short Circuit protection:

If short circuit is detected in output terminals, the amplifier shuts down an the red LED lights up. The equipment must be turned off, solve the short circuit problem and turn the equipment on again. If the problem is solved, the blue LED must light up. If the load impedance is lower than the amplifier specification, the equipment may trigger the short circuit protection.

Low Voltage Protection:

When battery voltage is lower than 9Vdc, the amplifier will shut down and the yellow LED will blink until the equipment is restarted.

Power Supply Inverted Cable Protection:

If the power supply cables are connected inverted, the internal fuse will blow.

Troubleshooting:

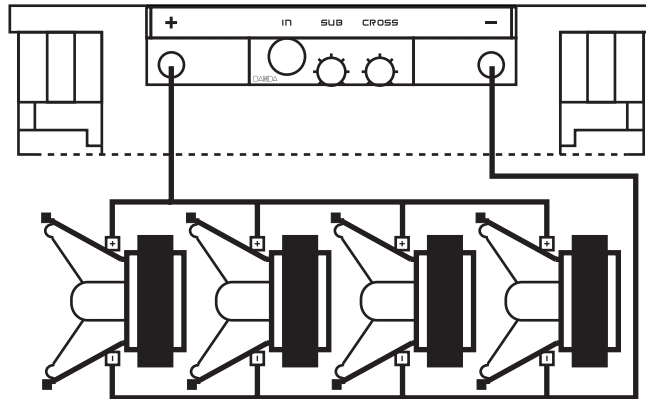
Protection triggered

1. Check if the internal fuse is blown. If so, replace it with a same current rate fuse (Megaval 225A) Viking 5000. (Megaval 250A) Viking 8000.
2. Check if there is short circuit in the output terminals. To do it, turn off the amplifier, disconnect all speakers and the input RCA cable and wait about 20 seconds. Turn the amplifier again and if the blue LED lights up, the amplifier is operating normally.
3. Check if any speaker is presenting short circuit or the total impedance load is lower than the amplifier specification.
4. Check if there is enough current in battery to supply the amplifier and if the cables are capable of conduct that current.

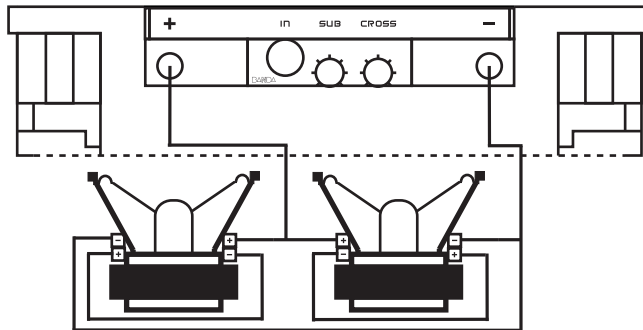
Output Noise

1. Check if there is loose connection in signal input or in the RCA cable.
2. Check if there is ground connection in the radio/cd RCA output.
3. Check if RCA cables are wired separated from the power cables.
4. Check if the +12Vdc that powers the amplifier is coming directly from the battery.
5. Check if ground cable is connected in car chassis as near as possible of the amplifier.
6. Both radio/cd and amplifier must be firmly connected to car chassis ground to avoid noises and voltage fluctuations at amplifier output.

CONNECTION EXAMPLES VIKING 8000Wrms 2 ohms



8 ohms 2000Wrms woofer x 4 wired in parallel



2+2 ohms 4000Wrms woofer x 2, coils wired in series and speakers wired in parallel

NOTE: These are basic projects, just given as examples.

OUTPUT

VIKING 5000 1 ohm

- Output power:
5000Wrms @ 1ohm / 12.6Vdc
6700Wrms @ 1ohm / 14.4Vdc
3600Wrms @ 2ohms / 12.6Vdc
4300Wrms @ 2ohms / 14.4Vdc
- Current draw at full power (average music program): 246A*

VIKING 5000 2 ohms

- Output power:
5000Wrms @ 2ohms / 12.6Vdc
6500Wrms @ 2ohms / 14.4Vdc
2900Wrms @ 4ohms / 12.6Vdc
3500Wrms @ 4ohms / 14.4Vdc
- Current draw at full power (average music program): 246A*

VIKING 8000 1 ohm

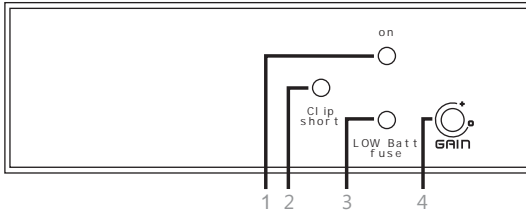
- Output power:
8000Wrms @ 1ohm / 12.6Vdc
9100Wrms @ 1ohm / 14.4Vdc
5800Wrms @ 2ohms / 12.6Vdc
6300Wrms @ 2ohms / 14.4Vdc
- Current draw at full power (average music program): 380A*

VIKING 8000 2 ohms

- Output power:
8000Wrms @ 2ohm / 12.6Vdc
9100Wrms @ 2ohm / 14.4Vdc
5800Wrms @ 4ohms / 12.6Vdc
6300Wrms @ 4ohms / 14.4Vdc
- Current draw at full power (average music program): 380A*

*Equivalent to current draw with resistive load and sinusoidal signal at half power.

Front panel view

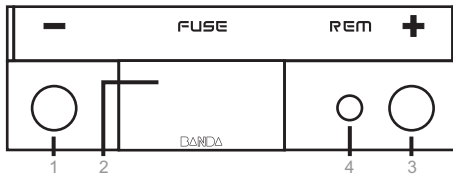


- 1. Blue LED: • On
- 2. Red LED: • Blinking - output clipping (distortion) / Constant - output short circuit
- 3. Yellow LED: • Blinking - low voltage battery / Constant - Fuse blown or missing
- 4. Gain control

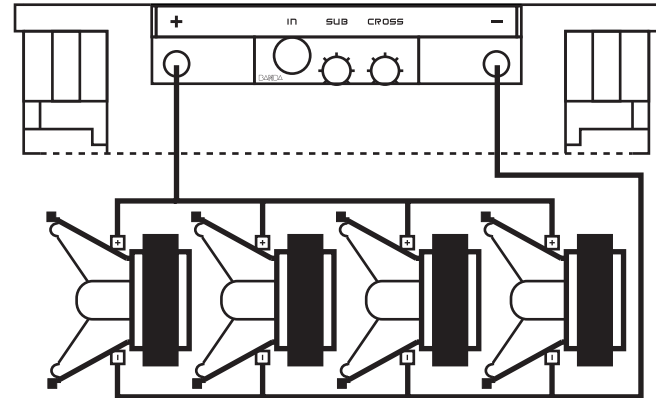
CLIP INDICATOR

The red LED lights up when the amplifier output is distorting. As long as the speakers used are capable of handle the total output power this LED can eventually blink but if it holds still it means too much distortion in the output and this can damage the speakers and the amplifier. In this case, turn down the head unit volume.

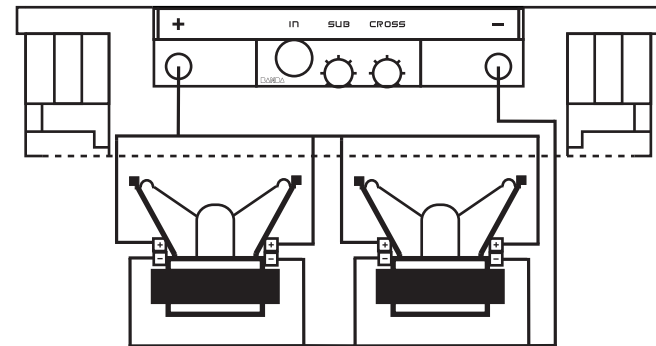
Vista da unidade de alimentação VIKING 5000/8000.



1. Negative power input (ground): connect to car chassis.
2. Protection fuse: 225A (VIKING 5000) 250A (VIKING 8000)
3. Remote input: connect to radio/cd remote output.
4. Positive power input (+12Vdc): connect to battery positive terminal.

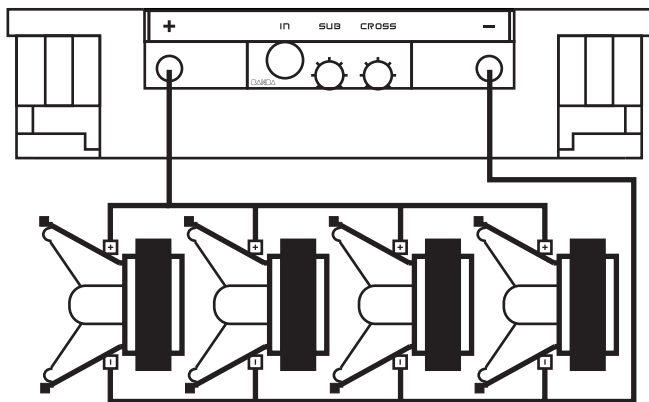


4 ohms 2000Wrms, woofer x 4 wired in parallel

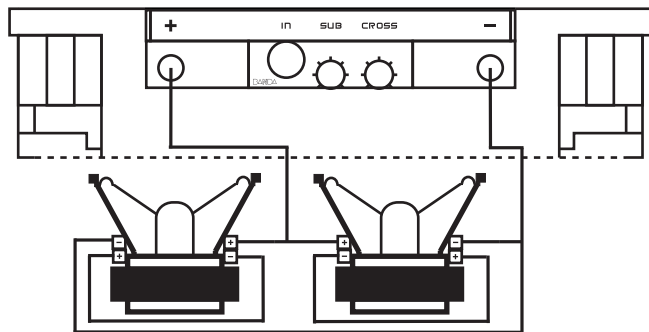


4 + 4 ohms 4000Wrms woofer x 2, coils wired in parallel and speakers wired in parallel

NOTE: These are basic projects, just given as examples.



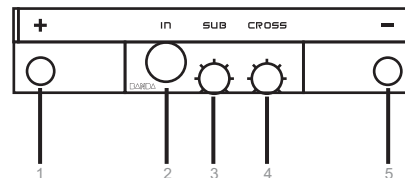
8 ohms 1250Wrms woofers x 4 wired in parallel



2+2 ohms 2500Wrms woofer x 2, coils wired in seris and speakers wired in parallel.

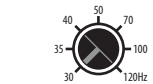
NOTE: These are basic projects, just given as examples.

Signal input and power output section.



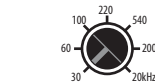
1. Positive speaker output
2. Signal input (RCA)
3. Subsonic control
4. Crossover control
5. Negative speaker output

Subsonic Control



Sets the beggining of response

Crossover Control



Sets the end of response

INSTALATION INSTRUCTIONS

Wire the power cables in this order: first GND, second +12Vdc and for last the remote.

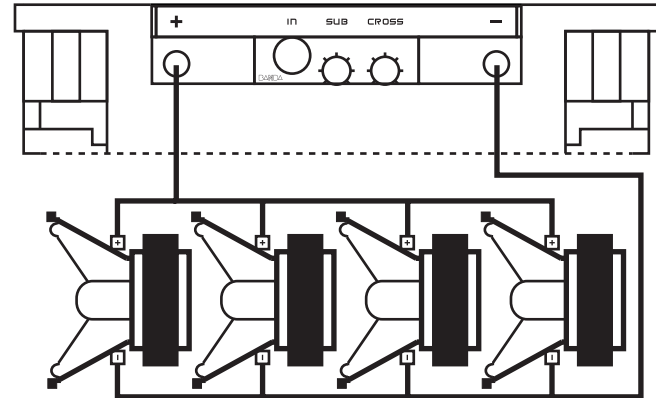
With the remote off, connect the RCA cable and the speakers cables. Check all the connections looking for loose connections or short circuits.

If everything is ok, turn the remote on through the radio/cd player. The blue led must light up .

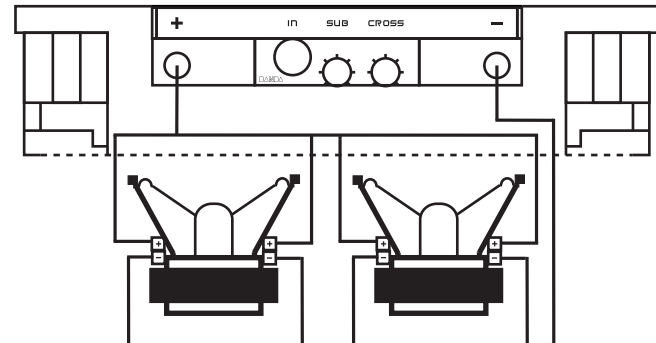
The amplifier must be installed in a secure place, well ventilated and away from sources of strong vibrations (as speakers boxes).

Important notes:

- Use 1/0AWG power cables for both GND and +12Vdc.
- Do not use impedance load lower than the amplifier specification. This can damage the equipment.
- Use wire solder for tinning the cable end for better electrical contact. Loose electrical connection can cause malfunction, heating and even fire
- The GND connection must be as short as possible, using adequate wire terminal firmly connected to a clean, paint free spot at the car chassis.
- If more than one amplifier is used, provide adequate individual wiring for each one.
- If using two amplifiers to play a single unit double coil speaker make sure to use the same input signal and adjust the control gain in both units precisely at the same value.
- When the internal fuse blow, the yellow LED will blink for a moment and than keep turned on.
- There is no current consumption when the remote input is off.
- If using power supply to power the amplifier, it must be capable of supply between 12.6 – 14.4Vdc with at least the amplifier maximum current value and maximum output variation (Vripple) of 10%.



4 ohms 1250Wrms woofer x 4 wired in parallel.



4+4 ohms 2500Wrms woofer x 2, coils wired in parallel and speakers wired in parallel.

NOTE: These are basic projects, just given as examples.